



LITESPHERE 2.0

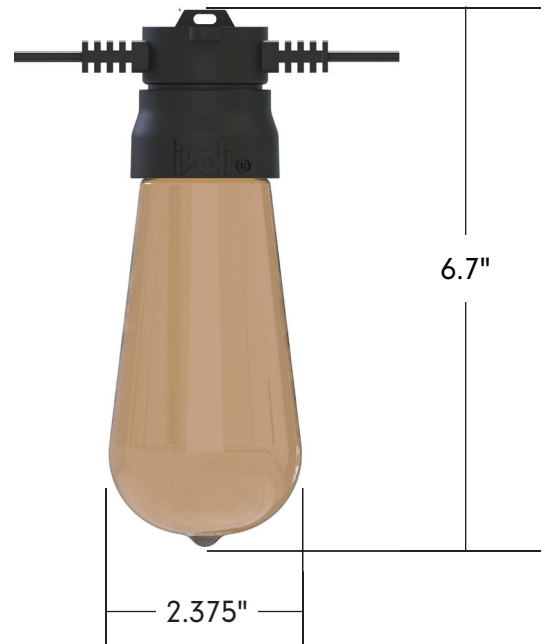
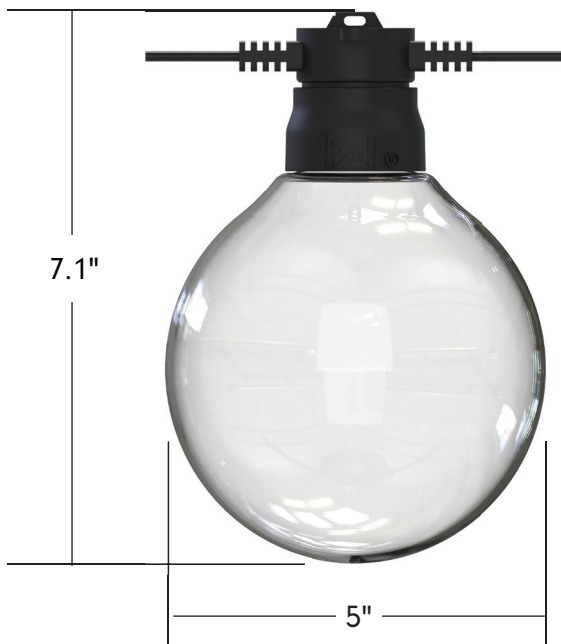
AND



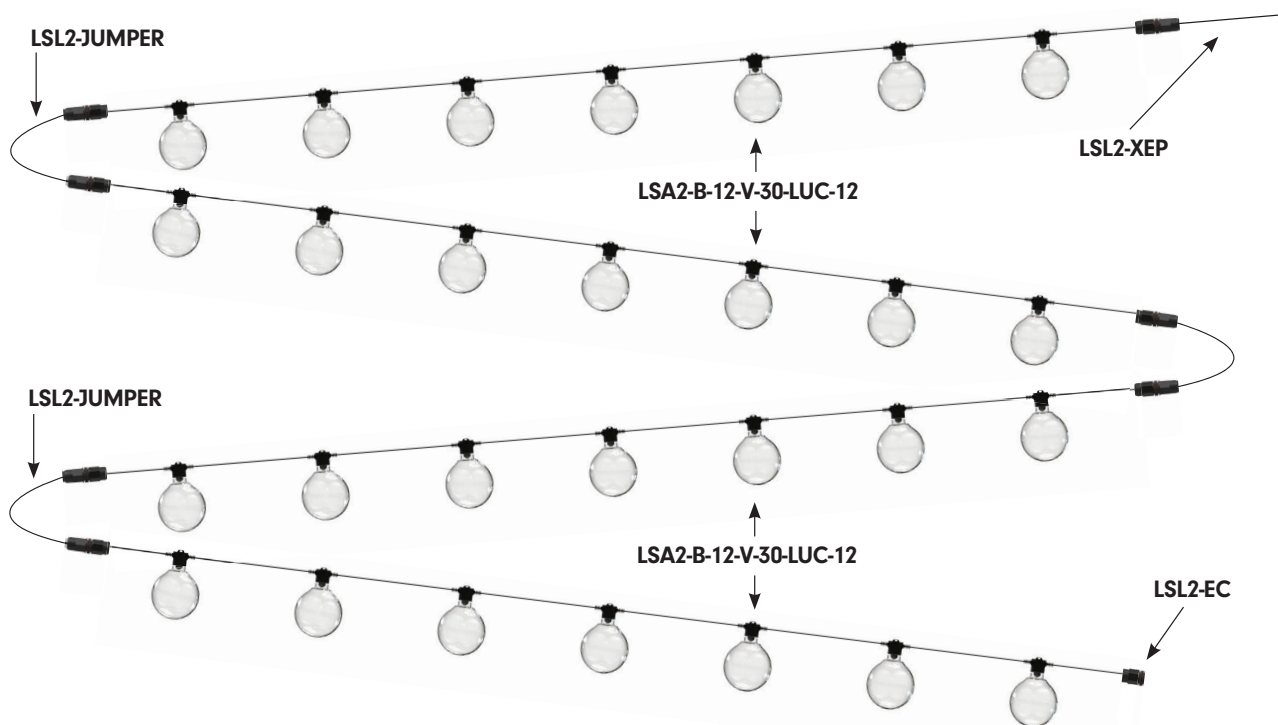
Project: _____ TYPE: _____

- The next evolution of ADAPT delivers a robust specification-grade strand with factory molded standard spacing for consistent quality from start to finish
- Litesphere ADAPT 2.0 design provides optional suspended mounting or a twist-off cap for surface applications
- Available DarkSky option with added light shade
- 12V DC Low voltage system for long runs
- Socket and cord color available in black or white
- Proprietary ADAPT screw base fitting
- Silicone-coated ADAPT glassware for assisting with shatter resistance
- IP67
- cULus
- 3 Year warranty

Dimensions



System Configuration Example



Strand Order Guide

Note: For suspension application, a catenary cable is required for proper installation. Please contact Tivoli for recommendations on unique mounting applications.

Product	Wire	Spacing	LED Type	LED Color	Globe	Light Shade*	Voltage
LSA2 Litesphere ADAPT 2.0	B Black W White**	12 12" OC 18 18" OC 24 24" OC 36 36" OC 48 48" OC	V Very High Output	19 1900K 27 2700K 30 3000K 35 3500K 40 4000K 50 5000K AM Amber RB Royal Blue RD Red GN Green YL Yellow TS Turtle Safe	ANA Ana VIC** Victoria GAB Gaby BRE Brenda LAU** Laura GIN Gina ANG Angela KAT Katie SUS** Susan TON** Toni LUC** Lucia CG** Varied Globes	Y Yes N No	12 12 12V DC

*Optional Light Shade are needed to comply with DarkSky requirements. Consult factory for lead time and available style and sizes - see page 7

**Consult Factory for MOQ and Lead Time.

Power Lead Order Guide

Figure A - All Litesphere ADAPT 2.0 are evenly cut between globes according to specified spacing.
 Figure B - Power leads are added to the end cut, extending the total length of the power lead.

LSL2-XEP-X-XX

X = B (Black), W (White)
 XX = 05 (5'), 10 (10'), 15 (15'), 20 (20'), 25 (25')
 For custom length consult factory

Figure A

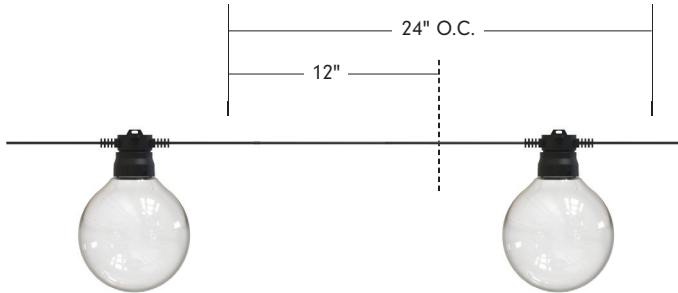
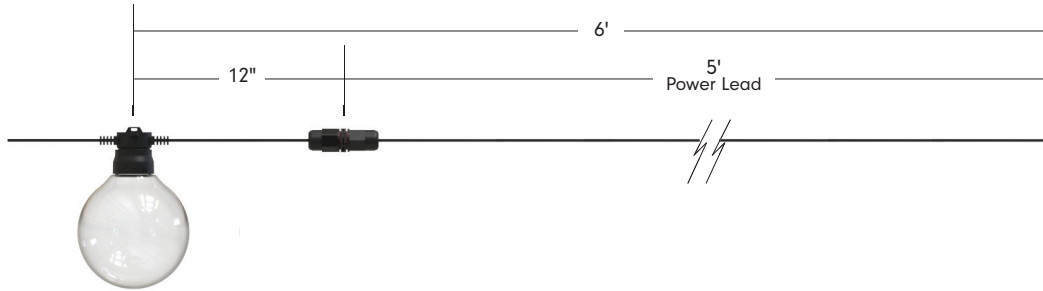


Figure B



Jumper Order Guide

Figure A - All Litesphere ADAPT 2.0 are evenly cut between globes according to specified spacing.
 Figure B - Jumpers are added between the cuts, extending the total length of wire between globes.

LSL2-JUMPER-X-XX

X = B (Black), W (White)
 XX = 05 (5'), 10 (10')
 For custom length consult factory

Figure A

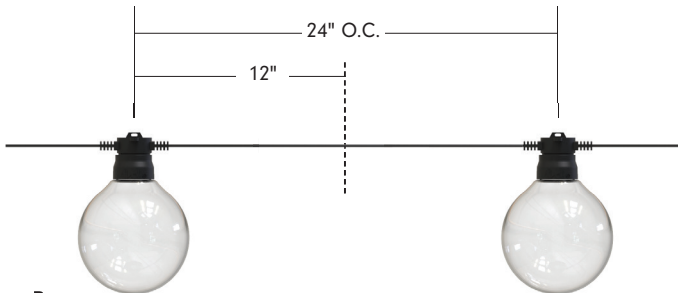
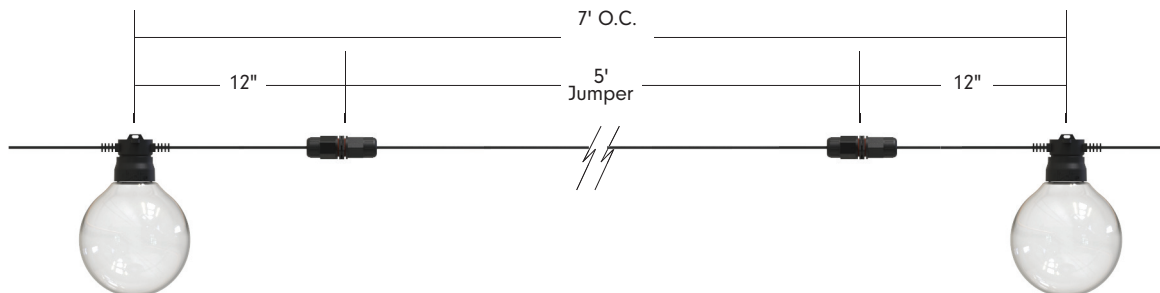


Figure B





Specifications

EPA	12"	18"	24"
G125 Globe Only	0.16	0.09	0.09
ST19 Globe Only	0.09	0.05	0.05
Hat 8"	0.53	0.28	0.28
Hat 13"	N/A	0.71	0.71
Dish 10"	0.82	0.42	0.42
Flower 10"	0.82	0.42	0.42
Flower 13"	N/A	0.71	0.71

Weights (G125 Globe)	12"	18"	24"	36"	48"
lb/ft	0.59	0.55	0.51	0.47	0.44
lb/ft with catenary cable	0.61	0.57	0.53	0.49	0.46
Weights (ST19 Globe)					
lb/ft	0.49	0.45	0.41	0.37	0.34
lb/ft with catenary cable	0.51	0.47	0.43	0.39	0.36

Output - Very High Output	12"	18"	24"	36"	48"
On-Center Spacing	12"	18"	24"	36"	48"
Lumens/ft	90.2	60	45	30	N/A
Watts/ft	.96	.64	.48	.32	.24
Maximum Electrical Run	55'	70'	80'	90'	90'

Electrical	
Input Voltage	12V DC
Power Consumption (W/LED)	0.96

Control	
Control System	0-10V, ELV, MLV, DMX 512 (Dim to 1% with an Infinity power supply and a 0-10V Lutron Diva dimmer)

Physical	
Dimensions	7.1" H x 5" W (G125), 6.7" H x 2.375" W (ST19)
Socket Housing	PVC
American Wire Gauge	14 AWG
Globe	Glass (Shatter resistance assist with silicone coating - Glass may still break under certain conditions)
Mounting	Surface Mount, Suspended
Operating Temperature	-40°C to 65°C (-40°F to 149°F)

Certification and Testing	
Certification	cULus
Environment	Wet Location
Lumen Maintenance (L70) Hours	70,000
IP Rating	IP67
Warranty	3 Years

Mounting Options

SURFACE

For surface mount applications, remove the top suspension-plate by turning counter-clockwise until off. Place socket flush against the desired surface and mount using proper screws according to substrate.



SUSPENDED

Suspended mounting will use a combination of LS-CABLE, LS-LOCK with LS-UVZP. Tension the cable wire with our LS-TT (Tension Tool) for desired sag (Please adhere to local city code for suspended application).

Note: For suspension application, a catenary cable is required for proper installation. Please contact Tivoli for recommendations on unique mounting applications.



Mounting Accessories



LS-CABLE-X

X = 60 (60'), 110 (110'), 500 (500')

1/8" Stainless steel cable includes (2) cable locks for use with loads up to 200lbs
Note: 500' no locks included



LS-LOCK-X

X = 2 (2 pcs), 4 (4 pcs)
Includes (1) release key
Cable Lock for 1/8" cable, support loads up to 200 lbs.



LS-TT

Cable tensioning tool up to 880lbs with 6:1 gear drive with integral torque gauge controls



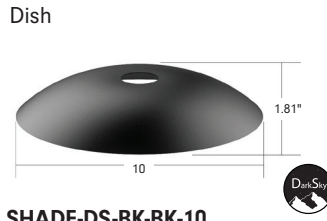
LS-UVZP-BK-XX

XX = 30 (30 pcs), 50 (50 pcs)
Black UV resistant, heavy duty ties maximum weight up to 100 lbs./per tie

Light Shade Accessories Note: Light Shade needed for DarkSky compliance



SHADE-HT-BK-XX-XX
XX = BK (black), **CO*** (copper)
XX = 8 (8.3"), **13**** (12.6")
 Black top, black/copper bottom
 Weight: 0.46 lb (10), 1.2 lb (13)



SHADE-DS-BK-BK-10
 10.2"
 Black top, black bottom
 Weight: 0.76 lb



SHADE-FL-BK-BK-XX
XX = 10 (9.8"), **13** (13.8")
 Black top, black bottom
 Weight: 0.63 lb (10), 1.48 lb (13)

*Only available for 13 (Hat) **Consult factory for lead time and MOQ

Replacement Parts



LSA2-LUC-N
 Example part number shown is with NO shade option - Standard adapter applied at factory



LSA2-LUC-Y
 Example part number shown is with YES shade option - Shade adapter applied at factory

PRODUCT CODE	PROFILE	SHADE
LSA2		
LSA2 = Litesphere ADAPT Globe	ANA = Ana ANG = Angela GIN = Gina GAB = Gabby KAT = Katie SUS = Susan* TON = Toni* LUC = Lucia* VIC = Victoria* LAU = Laura* BRE = Brenda*	Y = Yes N = No



LSL-XX-V-12
XX = 19, 27, 30, 35, 40, 50, AM, RD, RB, GR, YL, TS
 12V VHO Wedge Base LED
 Sold each



LSL2-EC-X
X = B (black), **W** (white)
 Litesphere 2.0 End-Cap
 Sold each
LSL2-EC-X-PX20
 Litesphere 2.0 End-Cap
 20 pcs
 Weight: 0.0375 lb

ADAPT Globe

Note: Shatter resistance assist with silicone coating - Glass may still break under certain conditions



LSA-ANA-N
Ana



LSA-ANG-N
Angela



LSA-GIN-N
Gina



LSA-GAB-N
Gaby



LSA-KAT-N
Katie



LSA-SUS-N
Susan*



LSA-TON-N
Toni*



LSA-LUC-N
Lucia*



LSA-VIC-N
Victoria*



LSA-BRE-N
Brenda



LSA-LAU-N
Laura*

In-Wall Controls



Touchscreen

TVOQ-1-WH
White



Touchscreen

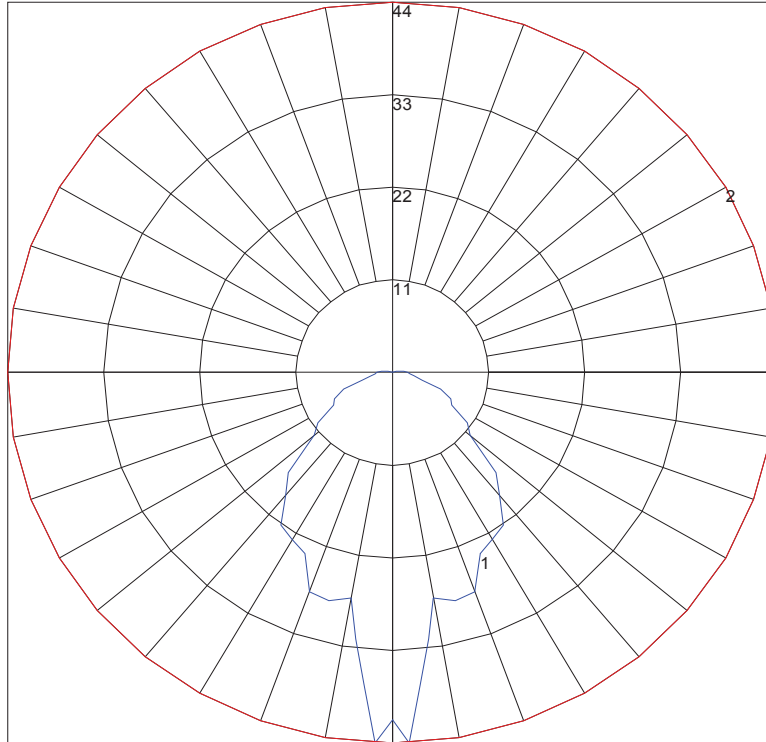
TVOQ-10-XX-7
XX = BK (Black), WH (White)



Touchscreen

TVOQ-2-BK
Black

Photometrics Based on 2700K LED with Lucia globe



Maximum Candela = 44.19 Located At Horizontal Angle = 0, Vertical Angle = 2.5
1 - Vertical Plane Through Horizontal Angles (0 - 180) (Through Max. Cd.)
2 - Horizontal Cone Through Vertical Angle (2.5) (Through Max. Cd.)

Power Supplies

INFINITY - MLV / ELV / 0-10V / PWM / TRIAC

Dim to 1% with a 0-10V Lutron Diva dimmer (by others)

DESCRIPTION	CAT NO	APPLICATION	PRIMARY VOLTAGE	SECONDARY VOLTAGE	CIRCUIT BREAKERS	MAX LOAD	MIN LOAD	CIRCUIT CAPACITY
Infinity Series Class 2 Transformer	INF-J-30-1-2.5-12	Indoor / Outdoor	100 - 277V AC	12V DC	1	30W	3W	2.5A
	INF-J-60-1-5-12				1	60W	6W	5A
	INF-J-180-3-5-12				3	3x60W	3x6W	3x5A
	INF-J-300-5-5-12				5	5x60W	5x6W	5x5A

ADNM - NON DIMMING

DESCRIPTION	CAT NO	APPLICATION	PRIMARY VOLTAGE	SECONDARY VOLTAGE	CIRCUIT BREAKERS	MAX LOAD	CIRCUIT CAPACITY
ADNM Series Class 2 Transformer	ADNM-60-1-5-12-D	Indoor / Outdoor	100-277V AC 50/60 HZ	12V DC	1	60W	5A
	ADNM-80-1-5-12-D				1	60W	5A
	ADNM-150-2-5-12-D				2	2x60W	2x5A
	ADNM-240-3-5-12-D				3	3x60W	3x5A
	ADNM-320-4-5-12-D				4	4x60W	4x5A

ADNM - 0-10V DIMMING

DESCRIPTION	CAT NO	APPLICATION	PRIMARY VOLTAGE	SECONDARY VOLTAGE	CIRCUIT BREAKERS	MAX LOAD	CIRCUIT CAPACITY
ADNM Series Class 2 Transformer	ADNM-60-1-5-12-DOT	Indoor / Outdoor	100-277V AC 50/60 HZ	12V DC	1	60W	5A
	ADNM-80-1-5-12-DOT				1	60W	5A
	ADNM-150-2-5-12-DOT				2	2x60W	2x5A
	ADNM-240-3-5-12-DOT				3	3x60W	3x5A
	ADNM-320-4-5-12-DOT				4	4x60W	4x5A

ADNM - DMX SINGLE ADDRESS

DESCRIPTION	CAT NO	APPLICATION	PRIMARY VOLTAGE	SECONDARY VOLTAGE	CIRCUIT BREAKERS	MAX LOAD	CIRCUIT CAPACITY
ADNM Series Class 2 Transformer	ADNM-60-1-5-12-DIN	Indoor / Outdoor	100-277V AC 50/60 HZ	12V DC	1	60W	5A
	ADNM-80-1-5-12-DIN				1	60W	5A
	ADNM-150-2-5-12-DIN				2	2x60W	2x5A
	ADNM-240-3-5-12-DIN				3	3x60W	3x5A
	ADNM-320-4-5-12-DIN				4	4x60W	4x5A

ADNM - DMX MULTI ADDRESS

DESCRIPTION	CAT NO	APPLICATION	PRIMARY VOLTAGE	SECONDARY VOLTAGE	CIRCUIT BREAKERS	MAX LOAD	CIRCUIT CAPACITY
ADNM Series Class 2 Transformer	ADNM-150-2-5-12-DIN-2	Indoor / Damp	100-277V AC 50/60 Hz	12V DC	2	2x60W	5A
	ADNM-240-3-5-12-din-3				3	3x60W	3x5A